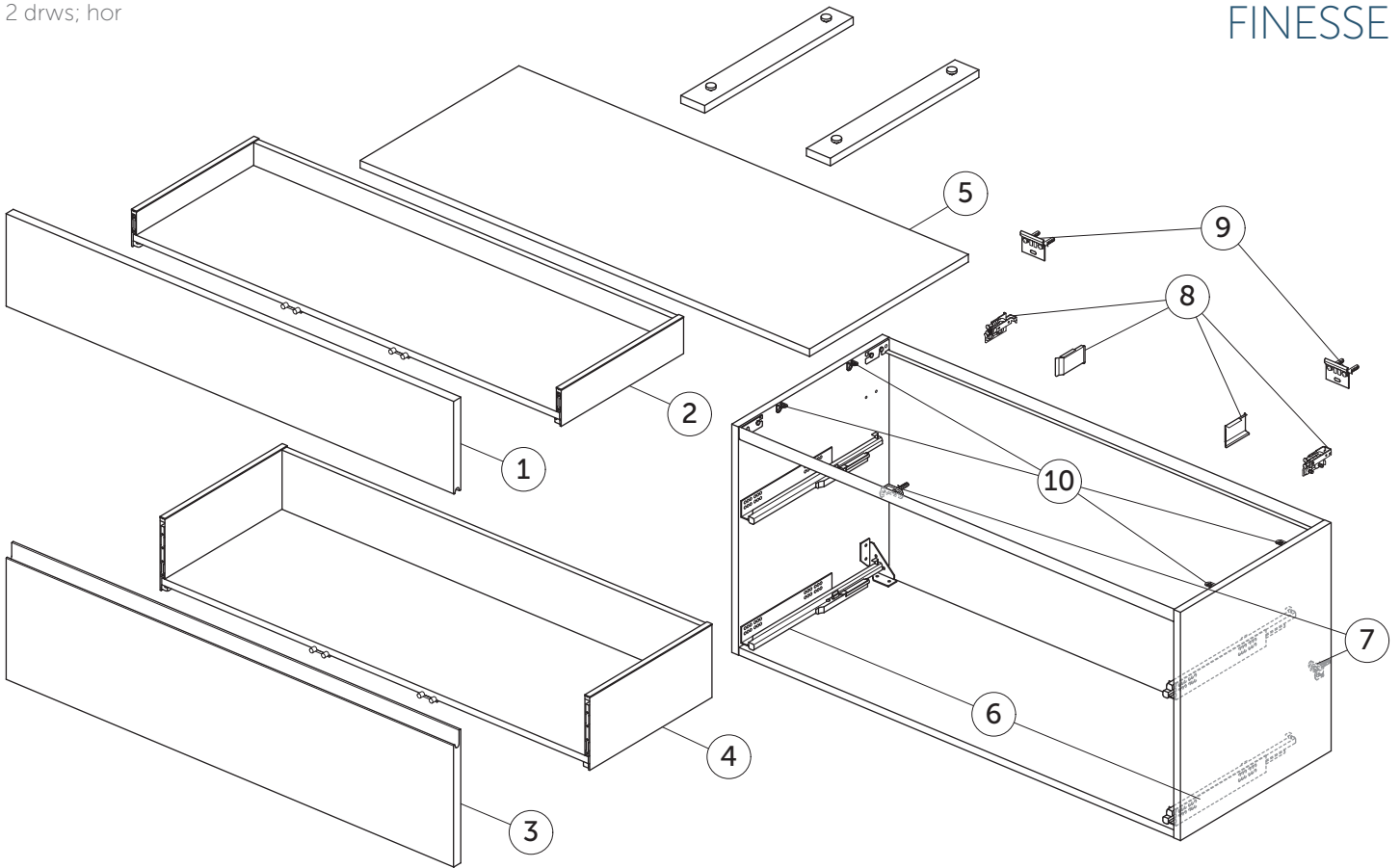


SPARE PARTS

Basin Unit WH 1200 x 505
2 drws; hor

FINESSE



Item	Description	Colour/Finish	Code No.	Quantity
1	Upper Drawer Front Panel WT 1197 x 220	Y1 - Matt White Y2 - Matt Anthracite UP - Matt Greige UQ - Matt Ash Blue Ribbed UR - Dark Elm US - White Oak	EF891Y1 EF891Y2 EF891UP EF891UQ EF891UR EF891US	1
2	Upper Drawer structure box WT 120 x 50.5	JE - Graphite Black	EF892JE	1
3	Lower Drawer Front Panel WT 1197 x 316	Y1 - Matt White Y2 - Matt Anthracite UP - Matt Greige UQ - Matt Ash Blue Ribbed UR - Dark Elm US - White Oak	EF893Y1 EF893Y2 EF893UP EF893UQ EF893UR EF893US	1
4	Lower Drawer structure box 120 x 50.5	JE - Graphite Black	EF830JE	1
5	Worktop 1202 x 506	Y1 - Matt White Y2 - Matt Anthracite UP - Matt Greige UQ - Matt Ash Blue Ribbed UR - Dark Elm US - White Oak	EF881Y1 EF881Y2 EF881UP EF881UQ EF881UR EF881US	1
6	Runners KIT 400mm Hettich Quadro SC		EF77367	pair
7	Safety brackets KIT VU (brackets, screws, plugs)		EF77467	8
8	Hangers KIT INDAUX SCARPI 4		EF77567	pair
9	Wall fixation KIT VU (brackets, screws, plugs)		EF77667	10
10	Worktop fixing KIT		EF86467	12

Ideal Standard International NV
Corporate Village – Gent Building
Da Vincilaan 2
B1935 – Zaventem
Belgium

BE +32 (0)2 325 66 33
BG +359 675 30362
DE +49 (0)228 521 580
EG +202 26969700
FR +33 (0)1 49 38 28 00
GB 01482 496 318
GR +30 210 67 90 810
HR +38591 22 99 304

HU +36 30 6991 594
IT 800 652 290
ME +971 4 804 2400
NL +31 (0)77 355 08 08
PL +48 71 7868 301/302
RO +40 21 3223 201/202
SI 00386 59 919040
TR +90 216 314 87 87

UA +359 675 30 468
AL/XK/BA +359 887 709 696
CZ/SK +420 417 592 179
DK/NO/SE +45 75 84 10 10
ES/PT +34 93 561 80 00
LV/LT/EE +371 673 57 792
RS/MK/ME +381 11 713 80 58
RU/MD +7 495 669 23 11


Ideal Standard